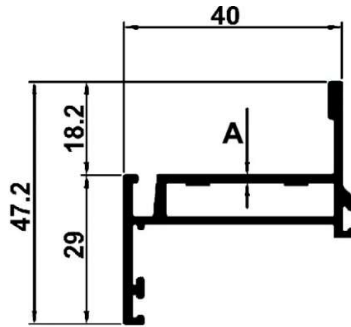
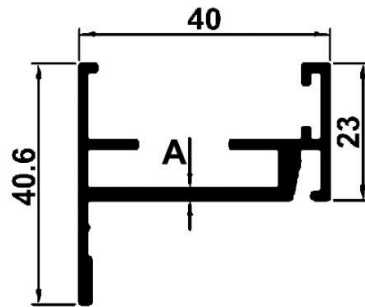


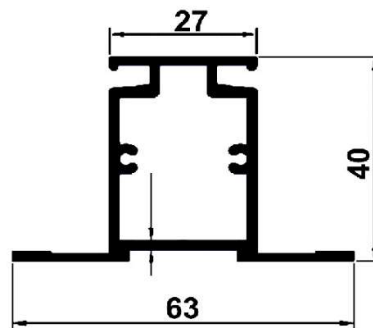
**CASEMENT WINDOW SERIES: 40 MM**



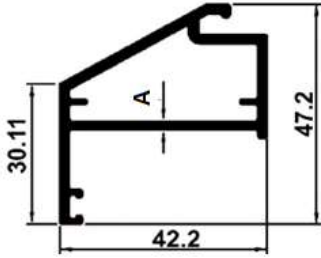
SL.NO.	SECTION NO.	A	WEIGHT(KG/M)
1	4208	1.4	0.565
2	4209	2.0	0.856



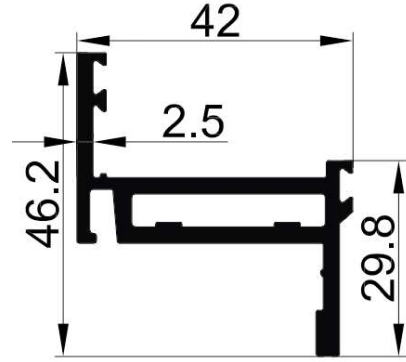
SL.NO.	SECTION NO.	A	WEIGHT(KG/M)
1	4210	1.9	0.595
2	4211	2.2	0.670



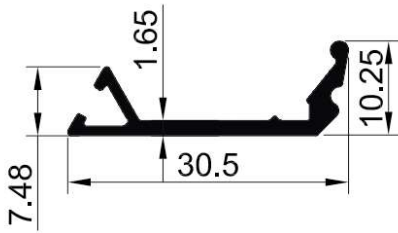
SL.NO.	SECTION NO.	WEIGHT(KG/M)
1	4212	0.816



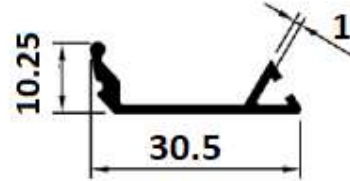
SL.NO.	SECTION NO.	A	WEIGHT(KG/
1	4216	1.9	0.790
2	4217	2.1	0.852



SL.NO.	SECTION NO.	WEIGHT(KG/M)
1	4240	0.943

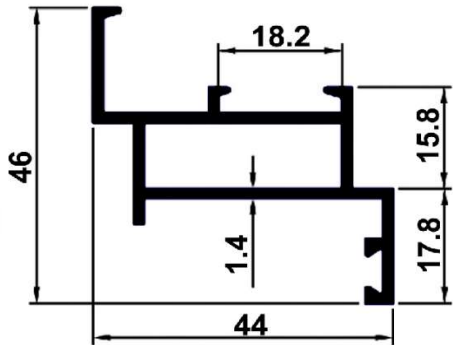


SL.NO.	SECTION NO.	WEIGHT(KG/M)
1	4242	0.191

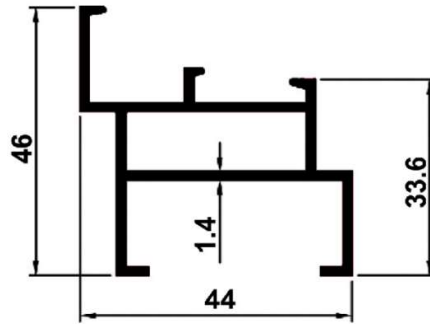


SL.NO.	SECTION NO.	WEIGHT(KG/M)
1	4214	1.00

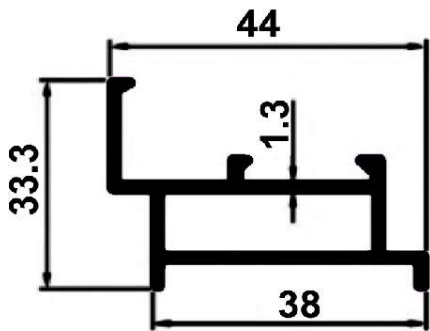
**WINDOWS SERIES**



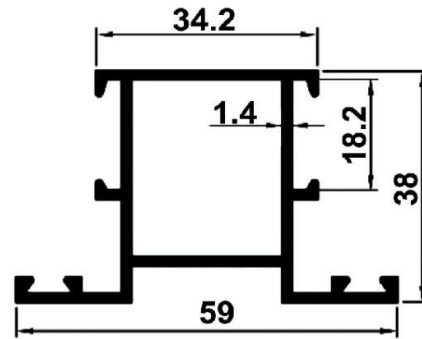
SL.NO.	SECTION NO.	WEIGHT(KG/M)
1	4302	0.575



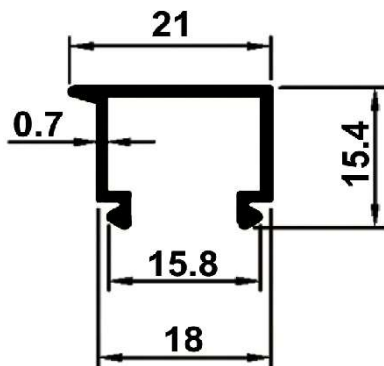
SL.NO.	SECTION NO.	WEIGHT(KG/M)
1	4300	0.622



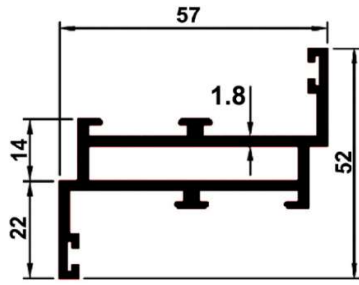
SL.NO.	SECTION NO.	WEIGHT(KG/M)
1	4305	0.492



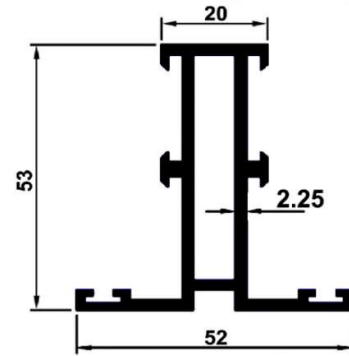
SL.NO.	SECTION NO.	WEIGHT(KG/M)
1	4307	0.729



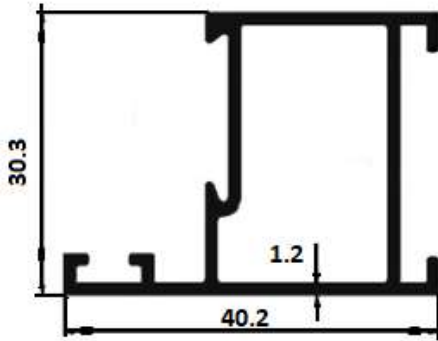
SL.NO.	SECTION NO.	WEIGHT(KG/M)
1	4309	0.108



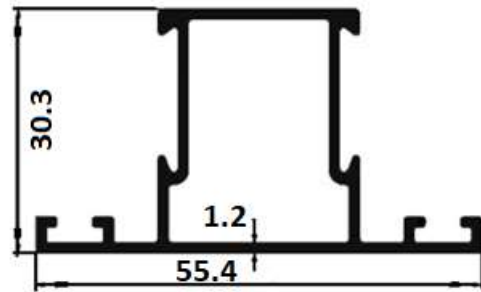
SL.NO.	SECTION NO.	WEIGHT(KG/M)
1	4400	1.050



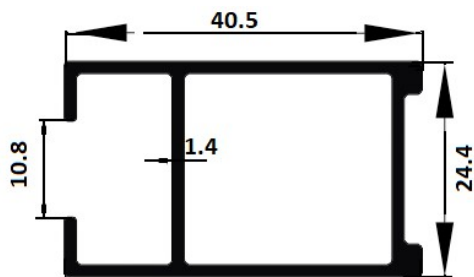
SL.NO.	SECTION NO.	WEIGHT(KG/M)
1	4401	1.050



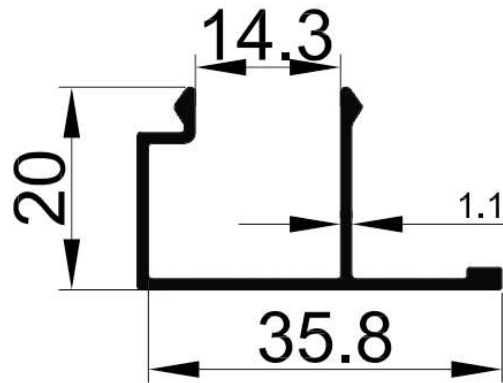
SL.NO.	SECTION NO.	WEIGHT(KG/M)
1	4405	0.463



SL.NO.	SECTION NO.	WEIGHT(KG/M)
1	4403	0.549



SL.NO.	SECTION NO.	WEIGHT(KG/M)
1	4407	0.534



SL.NO.	SECTION NO.	WEIGHT(KG/M)
1	4409	0.255